

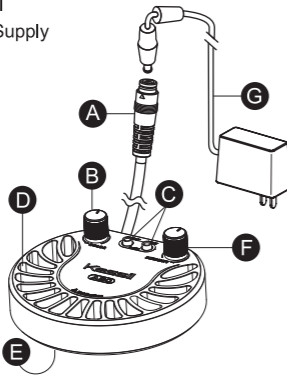
Kessil® A80

OWNER'S MANUAL LED ILLUMINATOR



PARTS DIAGRAM

- A. Power Cord
- B. Spectrum Tuning Dial
- C. 0-10V Controller Ports
- D. Heat Sink Fin
- E. Lens
- F. Intensity Dial
- G. DC Power Supply



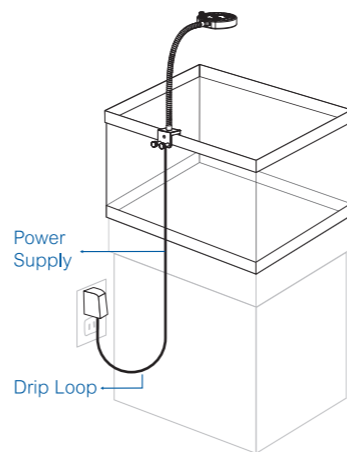
PRODUCT SPECIFICATIONS

Illuminator	
Power Consumption	15W maximum
Input Voltage	24VDC
Listed Power Supply	
Input	100-240VAC, 50-60Hz
Output	24VDC, maximum 1A

INSTALLATION GUIDE

1. Remove contents from package.
2. Hang the A80 1 to 2 ft. above the plants/tank.
3. Connect Power Cord (A) to the specified DC Power Supply (G).
4. Plug the power supply into an outlet with the correct specifications (see product specifications for more information).*
5. Using the A80's Intensity Tuning Dial (F) and Spectrum Tuning Dial (B), set the light to the desired setting. A80 Tuna Blue tunes from 10,000K - Actinic. A80 Tuna Sun tunes from 6,000K - 9,000K.
6. The ports beneath the dials can be connected to an external 0-10V controller. Please consult your controller's owner's manual for more information.

- * Always ensure a drip loop is included when plugging the Kessil fixture in to prevent water from entering the electrical outlet



SAFETY INSTRUCTIONS

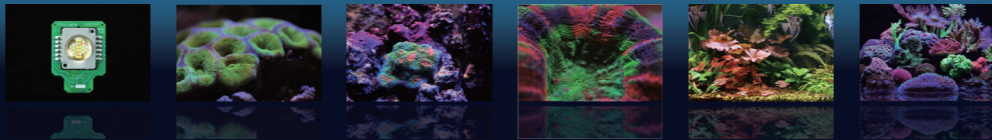
1. **DO NOT** use a power supply that does not meet the specifications. This is a fire hazard and may lead to unit failure.
2. **DO NOT** use outdoors. This unit is intended for indoor use only.
3. **DO NOT** expose unit to an extremely humid environment or submerge in water. This may lead to unit failure.
4. **DO NOT** place unit in close contact with any other objects while powered on because unit may overheat.
5. **KEEP** lens (E) away from sharp objects. This may break the lens and lead to unit failure.
6. **DO NOT** cover or place objects on the power supply (G). It should not be contained in an airtight space.

MAINTENANCE

1. Keep the unit clear of dust. To clean, unplug the unit and use a clean, dry cloth to remove accumulated dust from between each Heat Sink Fin (D).
2. Keep the Lens (E) clean. If the lens becomes contaminated with water, dust, or other particles, unplug the unit and clean the lens with isopropyl alcohol. Wet a cotton swab or a napkin in isopropyl alcohol, gently wipe the surface of the lens and let dry.

TROUBLESHOOTING GUIDE

Problem	Solution
Light doesn't turn ON	Make sure the unit is connected to the power supply and the power supply is connected to an outlet with the correct specifications.
	Make sure electrical power is available to the AC outlet being used.
	Make sure the power supply has the right specifications.
Unit is flickering	Make sure the device is operating within the specified operating temperature range (below 104°F or 40°C). If the unit overheats, it will automatically shut down.
	Make sure you are using a power supply with the correct specifications.
	Make sure to operate the unit in a room at 104°F / 40°C or lower to prevent overheating.



kessil.led



kessiltube



@kessil



@kessilled



kessil.com

Kessil Lighting

A DiCon Brand

1689 Regatta Blvd, Richmond, CA 94804

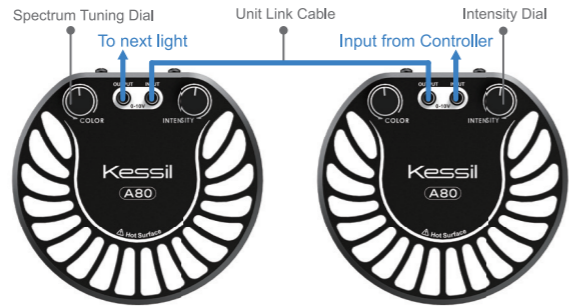
(510) 620-5250

Kessil.com

This is a LED light source emitting 40% or more of total radiation power of the range 250-800 nm in the range of 400-480 nm, and intended for coral growth.

Controllability

Multiple A80 lights can be controlled either manually or by a single external 0-10V controller.



CABLES

Available cables:

- Control Cable (Please consult kessil.com for list of available cables and compatible controllers).
- Unit Link Cable (male/male with 3.5 mm stereo jack).
- Control Extension Cable (6' male/female with 3.5 mm stereo jack).

STARTING A CHAIN

Connect two or more lights with the Unit Link Cable, as shown above.

CONTROL METHODS

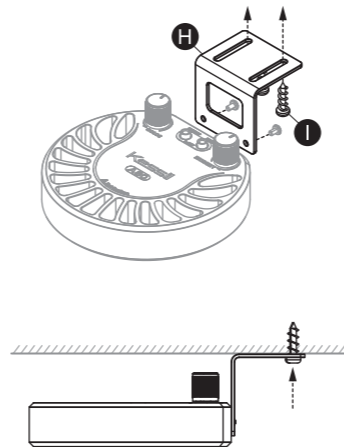
There are two ways to control a chain of lights:

1. With an external controller.
2. Without external controller (Tuning Dials on the first light control all other lights in chain).

Each light has its own independent power supply. Any number of lights can be daisy chained together without degradation of signal. However, in longer chains a slight delay in response may occur. Manual tuning is disabled when input cable is plugged in.

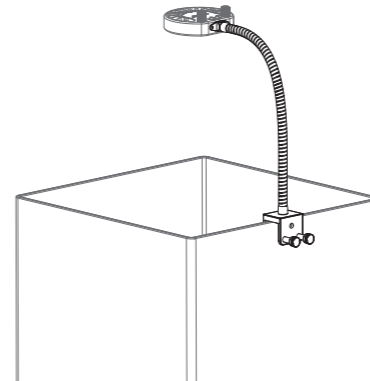
Top Mounting Adapter

Remove the two screws on the back of A80, and use them to secure Top Mounting Adapter (H) to A80, then use two wood screws (I) to mount them.



Optional Accessories

A80 Gooseneck
(L=10 in)



For other accessories, please visit www.kessil.com.

Product SN _____

Date of Purchase _____

Place of Purchase _____

Congratulations on your new purchase! To ensure that your product remains in its best condition, follow all provided maintenance and safety instructions. In case of any defect in your product, Kessil provides a one year warranty from the date of purchase. Please take a moment to register your new product at www.Kessil.com/warranty to expedite any future warranty claims.

KESSIL warrants, to the original buyer, all of its products to be free from defects in both workmanship and material for a period of one year from the date of purchase. This warranty extends to all products that have proved defective through normal use but excludes products that have been damaged, disassembled, modified, or misused by the buyer or any other person. This warranty is in lieu of all other warranties, and KESSIL disclaims all warranties expressed or implied, including any warranty of merchantability, fitness for a particular purpose, or arising from the course of dealing between the parties or usage of trade.

KESSIL will replace or repair to proper working condition any products that are returned under warranty. Products repaired or replaced under warranty are only warranted for the remaining unexpired period of time of the original warranty.